

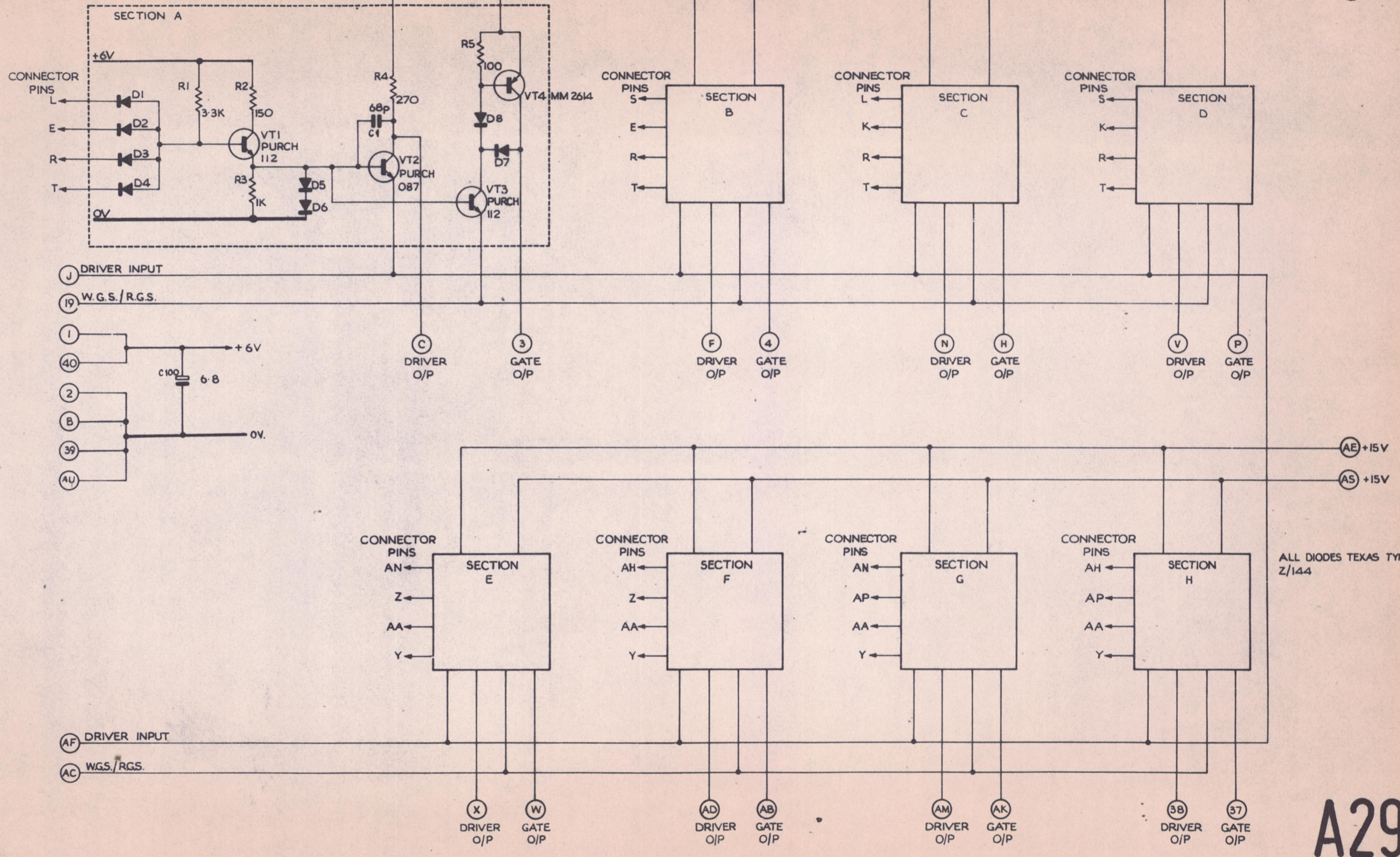
322C 4201

THIRD ANGLE PROJECTION

DIMENSIONS IN INCHES UNLESS OTHERWISE STATED

DO NOT SCALE DRAWING

U +15V
M +15V



ALL DIODES TEXAS TYPE Z/144

A29

LATEST M.I INCORPORATED MI 2998

ISSUE No.	1	2	3	4
ALTERATION No.	P679	1182	1340	1887
DATE	5.10.65	26.1.66	13.4.66	17.11.67
INITIALS	<i>[Signature]</i>	<i>[Signature]</i>	<i>[Signature]</i>	<i>[Signature]</i>
PARTS LIST No.	DRAWN S SILVERTHORNE CHECKED P.H.S. APPROVED <i>[Signature]</i> DATE 28-10-65			

MATERIAL

FINISH

TOLERANCES
 LINEAR UNMACHINED SURFACES
 MACHINED SURFACES :
 ANGULAR DIMENSIONS :
 UNLESS OTHERWISE STATED

ELLIOTT BROTHERS (LONDON) LTD

TITLE
**920 B STORE
 CIRCUIT DIAGRAM A-ED₃**

SCALE
 DRAWING No.
322 C 4201